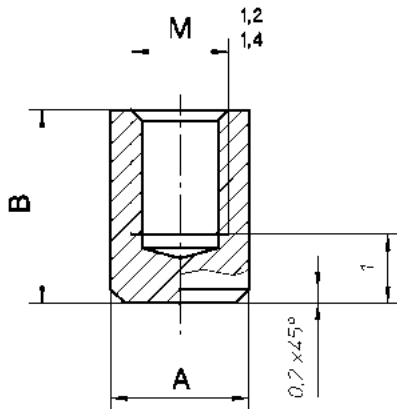




TYPE 1

for soldering

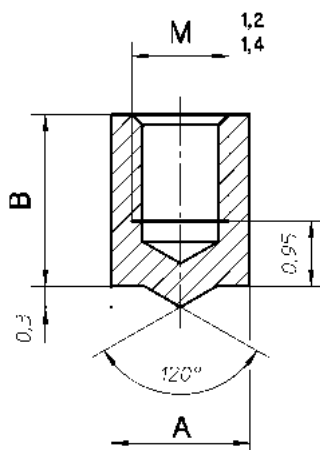


Mat. 2 = nickel silver

Mat. 3 = bronze

TYPE 2

for spot welding



Mat. 2 = nickel silver

Mat. 3 = bronze

Details for ordering

TYPE	A	B	M	Mat.